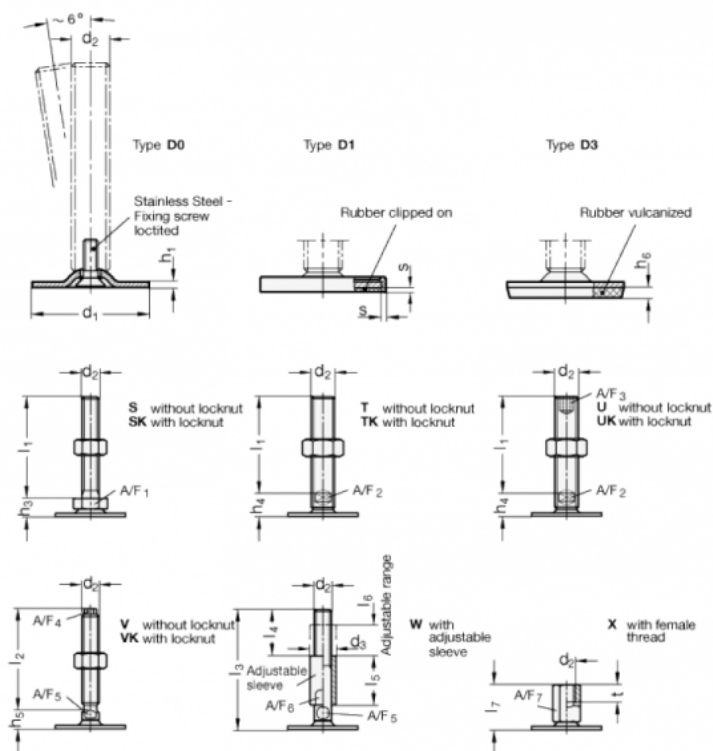


Article number: 204180M20159D3W

Description: E+G levelling foot
GN 41-80-M20-159-D3-W

Note: W With adjustable sleeve , Hygienic Version, Wrench flat at the bottom

Measures



A/F5 = 16	I4 = 56
A/F6 = 24	I5 = 56
d1 = 80	I6 = 37
d2 = M20	s =
d3 = 30	
h1 = 3	
h6 = 5	
I3 = 159	